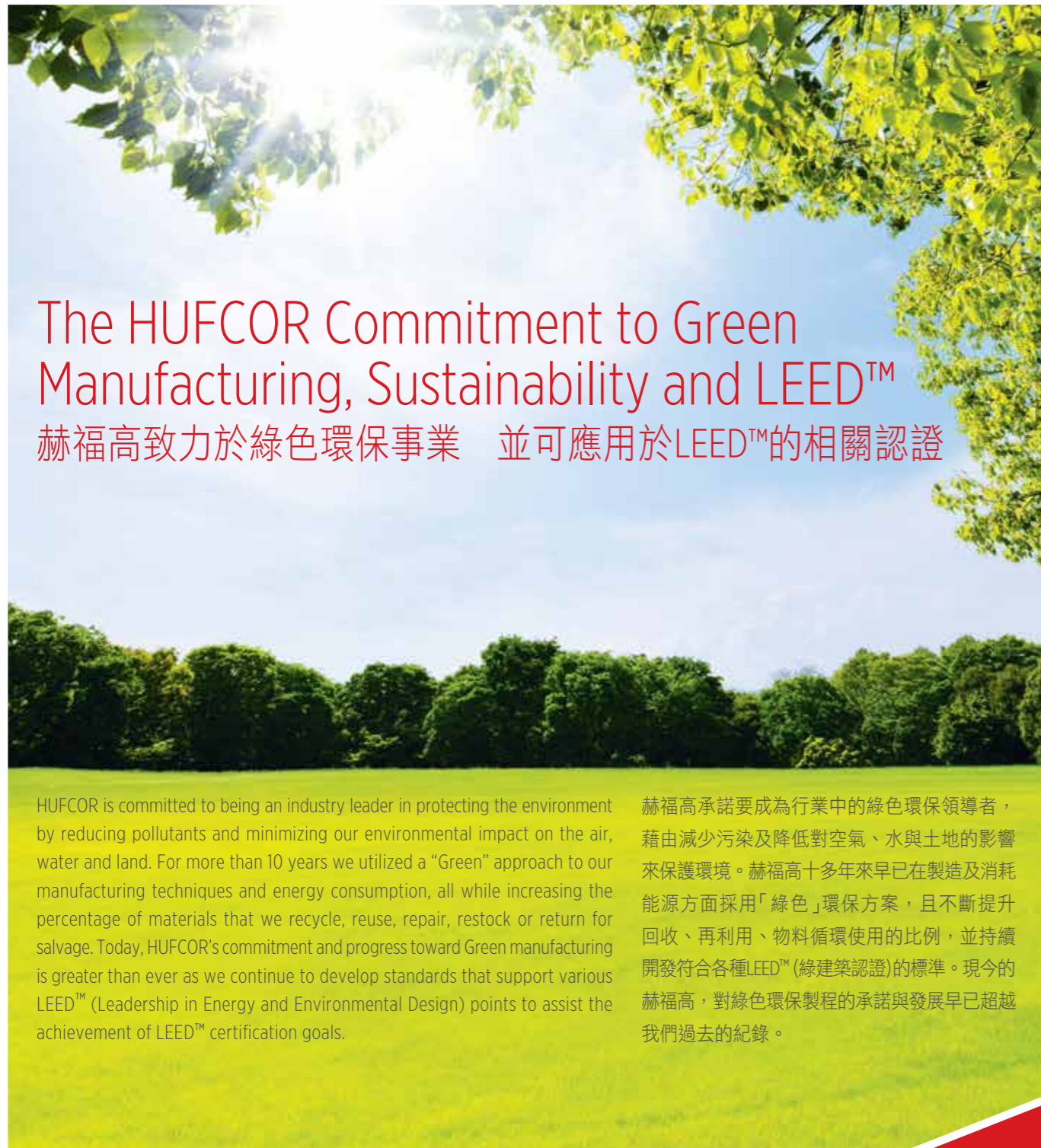


600 Series Operable Partitions

Partitions • Operable | Vertical Lift | Glasswall | Automatic



The HUFCOR Commitment to Green Manufacturing, Sustainability and LEED™

赫福高致力於綠色環保事業 並可應用於LEED™的相關認證

HUFCOR is committed to being an industry leader in protecting the environment by reducing pollutants and minimizing our environmental impact on the air, water and land. For more than 10 years we utilized a "Green" approach to our manufacturing techniques and energy consumption, all while increasing the percentage of materials that we recycle, reuse, repair, restock or return for salvage. Today, HUFCOR's commitment and progress toward Green manufacturing is greater than ever as we continue to develop standards that support various LEED™ (Leadership in Energy and Environmental Design) points to assist the achievement of LEED™ certification goals.

赫福高承諾要成為行業中的綠色環保領導者，藉由減少污染及降低對空氣、水與土地的影響來保護環境。赫福高十多年來早已在製造及消耗能源方面採用「綠色」環保方案，且不斷提升回收、再利用、物料循環使用的比例，並持續開發符合各種LEED™ (綠建築認證)的標準。現今的赫福高，對綠色環保製程的承諾與發展早已超越我們過去的紀錄。

 Design & Technology Developed by HUFCOR in the USA
設計及技術來自美國赫福高



HUFCOR Hong Kong - Asia Pacific headquarters

Unit 2501-03 & 05, 25/F The Octagon, 6 Sha Tsui Road, Tsuen Wan, New Territories, Hong Kong
T: (852) 2688 0912 F: (852) 2688 0896 E: hongkong@hufcor.com

HUFCOR Macau

T: (853) 6363 1775

All rights reserved. No part of this publication may be reproduced, stored in any retrieval system, or transmitted in any form or by any means, electronic, mechanical, photocopying, recording, or otherwise without the publisher's prior written permission.

保留所有權利。未經出版者事先書面同意，本出版物任何部分均不得複製，不得儲存於任何檢索系統，或以任何形式或方法如電子、書寫、複印、錄製等進行傳播或發佈。



600-RT-0620



600 Series operable partitions 600 系列活動屏風



HUFCOR, a US-based corporation, is the global market leader in flexible space management, with an internationally acclaimed heritage of over 120 years. We pride ourselves in our ability to maintain the highest possible standards of differentiated services, including total solutions from design, manufacturing and project management to installation and product maintenance.

600 Series operable partitions are the embodiment of innovation and aesthetics combined. Its welded, galvanized and heavy-duty steel frames provide flexible, versatile and space-saving solutions, together with newly designed acoustical features for industry leading durability and acoustic performance up to STC 56. HUFCOR products can be customized for a number of specific and unique design requirements and applications.

HUFCOR's globally-proven multi-directional trolley systems create the easiest movement through turns and crosses to remote storage. And our quick-setting seal system creates the fastest operable wall setup and storage.

赫福高是一間總部位於美國，擁有逾120年歷史享譽國際的跨國企業。作為靈活空間管理的全球領導者，我們致力於提供各種最高標準的服務，包括設計、生產製造、項目管理、產品安裝以及維修保養的全面解決方案。

600 系列活動屏風堪稱創新與美學的完美結晶，為室內空間提供靈活、多功能和節省空間的解決方案。600 系列的框架以鍍鋅鋼材機械焊接而成，配合嶄新設計的隔音裝置，將屏風的耐用性和隔音效果提升至頂尖水平（最高可達 STC 56）。赫福高更可配合客戶獨特的設計要求和應用，提供度身訂造的產品。

赫福高一直備受世界公認的多方向式路軌滑輪系統創造了最為簡易的屏風運行環境，屏風可通過路軌轉向及駁口處迅速進入藏板間。同時，快速設置密封系統使固定與收藏屏風的操作更為便捷。



Features

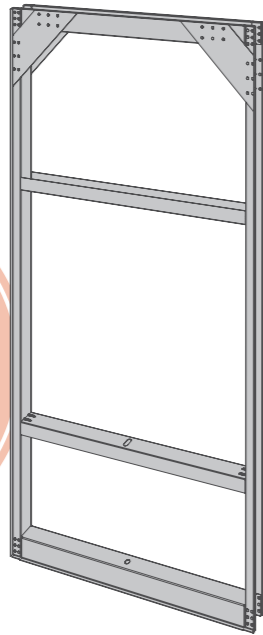
產品特點

Steel Frame 鋼結構框架

The frame is made of 2mm welded heavy-duty galvanized steel. It provides the frame with high rigidity & durability.

框架由2mm鍍鋅鋼材機械焊接而成的，結構堅固耐用。

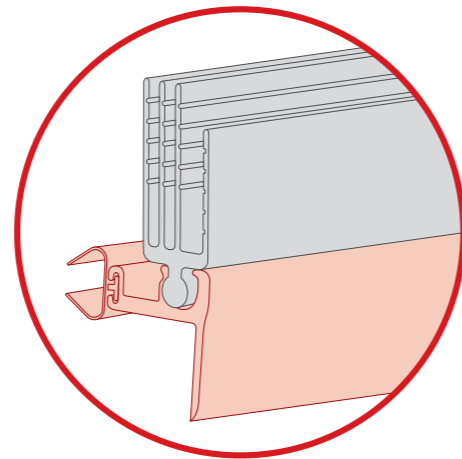
Free 5-year warranty on welded steel frame
5年免費鋼框架維修保養服務



New Sweep Seals 創新密封膠條

Four-finger sweep seals are installed at panel's top and bottom, which increase the contact point by 50%, when comparing to the past product series. It provides optimum seal contact to keep out sound effectively.

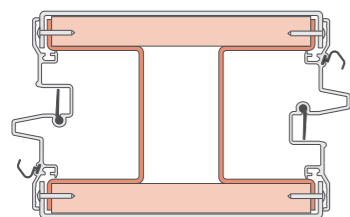
屏風頂底及底部配備多達4層的觸碰式密封膠條，與以往產品型號相比，接觸點增加約50%，大大提升隔音性能。



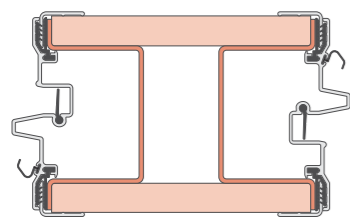
Improved Trim System 精良收邊系統

Trimmed and trimless designs provide options for reinforced and replaceable face panels, catering different design proposals.

提供加裝保護邊框或無邊框設計的選擇方案，靈活配合固定式及可換式面板，迎合不同設計方案。



Reinforced face panel
固定式面板

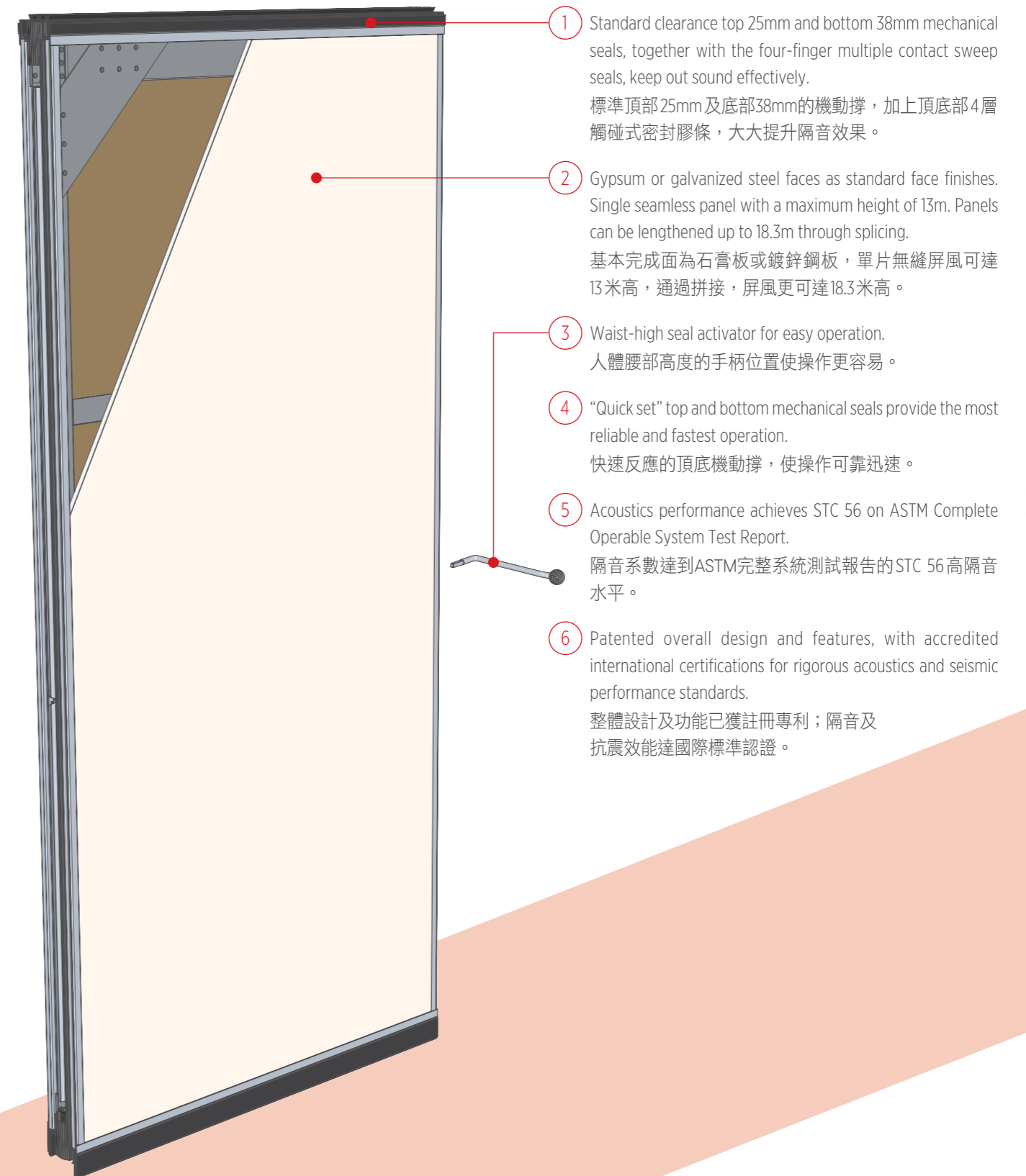
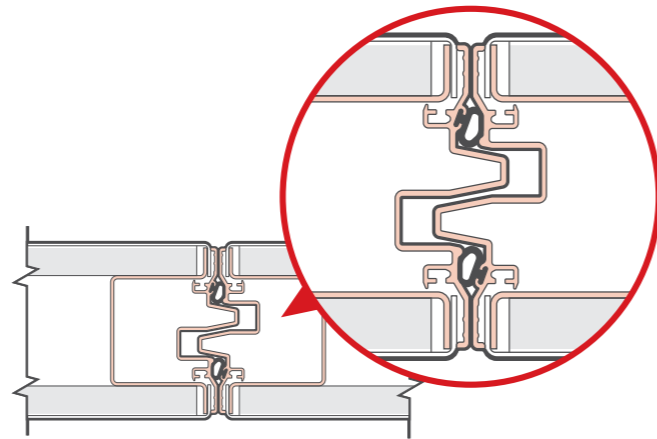


Replaceable face panel
可換式面板

Newly Invented Bullnose 新研發牛鼻

The single design bullnose replaces the traditional male and female-sided bullnose. Equipped with vertical compressive seals, it improves the depth of interlocking, and prevents sound leaks effectively.

設計劃一的新牛鼻，替代傳統的公母邊牛鼻，並配有垂直壓縮膠條，有效加強嵌合深度，杜絕漏音。



① Standard clearance top 25mm and bottom 38mm mechanical seals, together with the four-finger multiple contact sweep seals, keep out sound effectively.

標準頂部25mm及底部38mm的機動撐，加上頂底部4層觸碰式密封膠條，大大提升隔音效果。

② Gypsum or galvanized steel faces as standard face finishes. Single seamless panel with a maximum height of 13m. Panels can be lengthened up to 18.3m through splicing.

基本完成面為石膏板或鍍鋅鋼板，單片無縫屏風可達13米高，通過拼接，屏風更可達18.3米高。

③ Waist-high seal activator for easy operation. 人體腰部高度的手柄位置使操作更容易。

④ "Quick set" top and bottom mechanical seals provide the most reliable and fastest operation. 快速反應的頂底機動撐，使操作可靠迅速。

⑤ Acoustics performance achieves STC 56 on ASTM Complete Operable System Test Report. 隔音系數達到ASTM完整系統測試報告的STC 56高隔音水平。

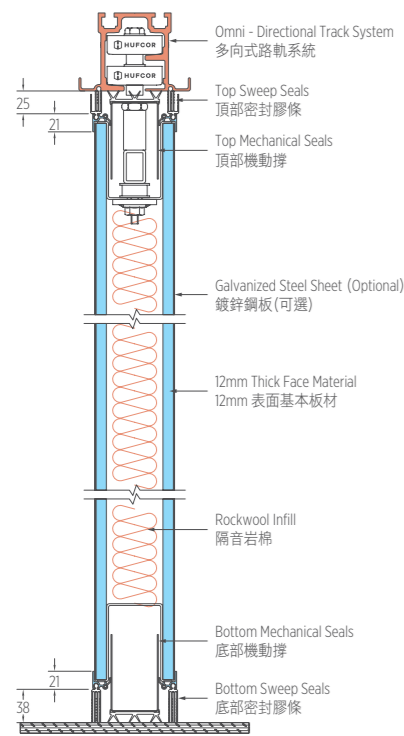
⑥ Patented overall design and features, with accredited international certifications for rigorous acoustics and seismic performance standards. 整體設計及功能已獲註冊專利；隔音及抗震效能達國際標準認證。

Specifications

產品規格

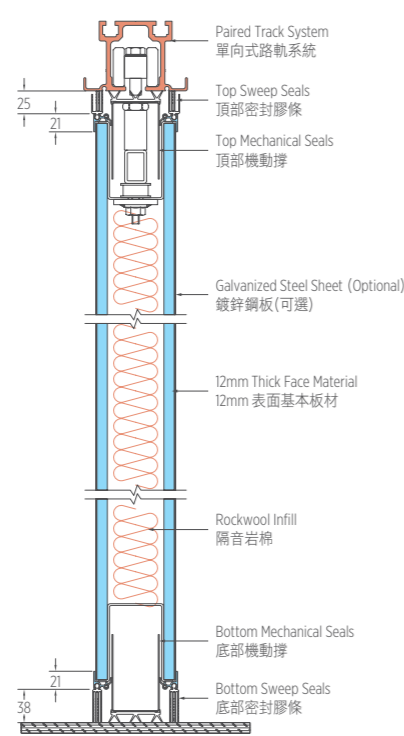
Omni-Directional Panels 多向式屏風

Vertical Section 垂直截面圖



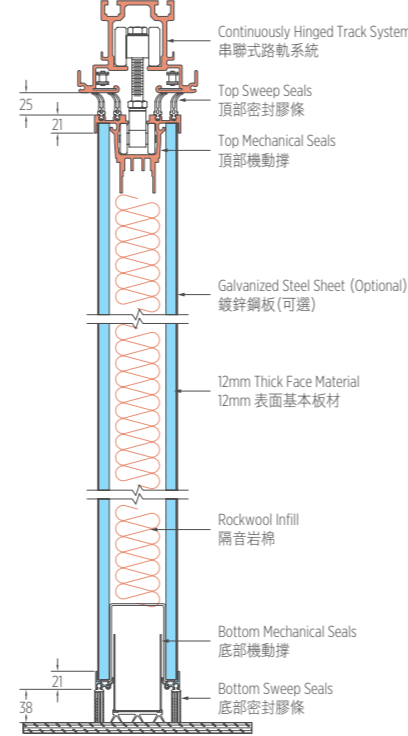
Paired Panels 單向式屏風

Vertical Section 垂直截面圖



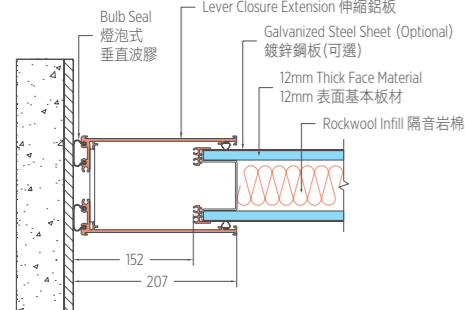
Continuously Hinged Panels 電動串聯式屏風

Vertical Section 垂直截面圖

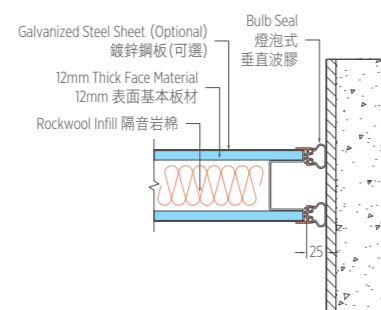


Horizontal Sections 水平截面圖

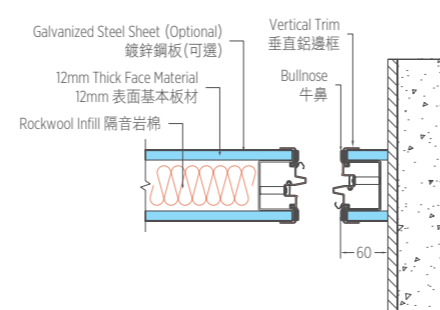
Lever Closure 伸縮板



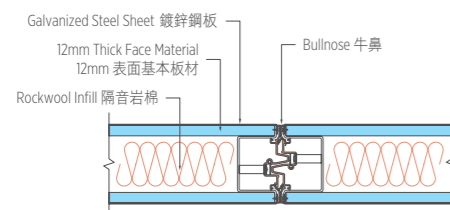
Bulb Seal 波膠板



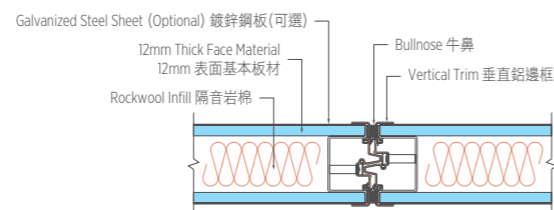
Wall Jamb 隔音門框



Typical Panel Joint (Without Vertical Trim) 基本板結點(無垂直邊框設計)



Typical Panel Joint (With Vertical Trim) 基本板結點(有垂直邊框設計)



600 Series Product Guide 600系列產品指南

Partition Models 屏風型號	Partition Types 屏風類型	Top Seals 頂部密封模式		Bottom Seals 底部密封模式		Vertical Trim 垂直鋁邊框	Max. Height 最大高度 (mm 毫米)	Max. Width of Single Opening 開放空間最大寬度 (mm 毫米)
		Fixed sweep 固定膠條	Retractable Seals 伸縮機動撐	Fixed sweep 固定膠條	Retractable Seals 伸縮機動撐			
641	Omni-directional 多向式	Optional 可選	Compulsory 必選	Optional 可選	Compulsory 必選	Compulsory/Optional 必選/可選	18300	Unlimited 無限
	Omni-directional 多向式 (80mm bottom seal 伸縮間距)			N/A(無)				
642	Paired 單向式	Optional 可選	Compulsory 必選	Optional 可選	Compulsory 必選	Compulsory/Optional 必選/可選	7500	Unlimited 無限
643E	Electric Operation Continuously Hinged 電動串聯	Compulsory 必選	N/A(無)	Optional 可選	Compulsory 必選	Compulsory/Optional 必選/可選	9200	36600

* Information show is "standard". However, many products and features may be altered to meet specific job site requirements. Max. height for each panel is 13.2m. As product variation request, we can splice panels together to achieve taller height, and widen panel frame to achieve wider panel width (except 643E). Please contact HUF COR staff for more details.
上述資料均為「標準數據」，但大多數產品皆可依不同工程現場及客戶需求進行修改。活動屏風的最大高度為13.2米。依照產品不同的規格，我們可以通過接駁做出更高的活動屏風，也可以加寬框架做出更寬的活動屏風(643E型號除外)。詳情可聯絡 HUF COR 工作人員。

600 Series STC & Hanging Weights 600系列隔音系數及屏風懸吊重量

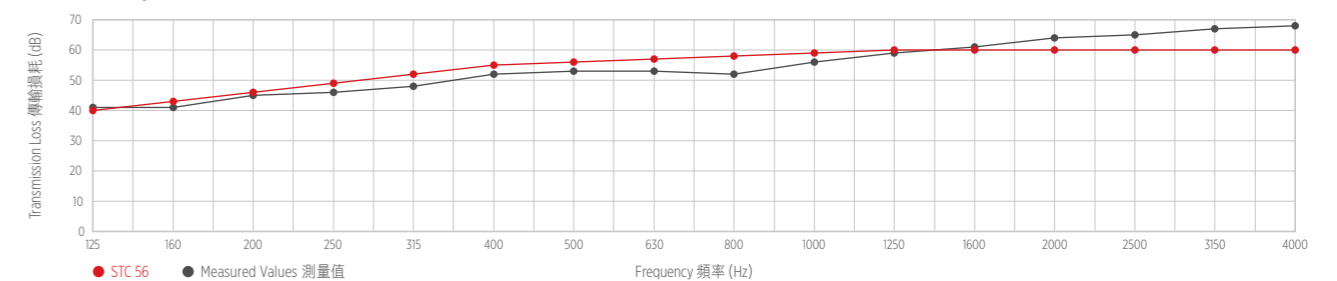
Partition Models 屏風型號	Acoustic Ratings 隔音系數(STC)	Approx. Hanging Weight (kg/m ²) 屏風懸吊重量(公斤/平方米)
641/642	56	66.4
	54	53.2
641/642/643	52	46.0
	49	41.2
	47	38.7
	43	37.8

600 Series Stack Sizes 600系列收藏尺寸

Partition Models 屏風型號	Stack Sizes 收藏尺寸
641	108mm (per panel 每片屏風) + 25mm
642	108mm (per panel 每片屏風) + 25mm
643E	108mm (per panel 每片屏風) + 216mm

* Stack size shown is for retractable bottom seals. Use of optional face material may increase stack dimensions. 收藏尺寸以已安裝可伸縮底部機動撐的屏風計算。安裝不同的完成面會增加板間的深度。

STC 56 Laboratory Test Result 實驗室測試結果



Panel Construction 屏風構造

- Panels are nominal 100mm in thickness and up to 1219mm in width. The single seamless panels are up to 13 meters high and panels can be lengthened up to 18.3m through splicing.
- 2mm welded, heavy-duty, galvanized steel frame supplied with integral factory applied aluminum vertical edge and face protection. Frame without protective vertical face trim is another option for a monolithic look.
- Acoustical faces are available on each side of the panel. They are made of gypsum board or electro-galvanized steel plate assembled to provide appropriate acoustical performance that meet STC requirements.
- Frames are adaptable to paired panel or continuously hinged panel operations with recessed hinges protruding no more than 25mm and 6mm from face respectively.
- 屏風的標準厚度為100mm，闊度1219mm。其單片無縫屏風高度可達13米，通過接駁更可達18.3米。
- 2mm鍍鋅鋼材機械焊接而成的框架，可選擇垂直保護邊框可保護基本完成面，或選用無邊框設計以呈現無邊的完美效果。
- 屏風每邊均有隔音基本完成面，可選用石膏板或鍍鋅鋼板與隔音基底層組合來滿足STC隔音需求。
- 屏風可選用單向式(雙片式)或串聯式，基本完成面的裝飾面厚度分別不可大於25mm及6mm。

Seal System 密封系統

- Vertical sound seals are of “tongue and groove” configuration to ensure panel-to-panel alignment and prevent sound leaks between panels.
- our-finger horizontal sweep seals and retractable seals between panels and top supporting track can provide 25mm nominal operating clearance.
- Four-finger horizontal sweep seals and retractable seals between panels and floor can provide a range of 38mm nominal operating clearance to accommodate normal floor gradient. It is optional for deeper bottom clearances on a single omni-direction panel.
- Top and bottom horizontal seals can be operated simultaneously by a removable handle with a single crank action not requiring more than one turn on the spindle shaft.
- Top and bottom retractable seals not only stable the panels, but also exert at least 25kg upward and downward force when extended.
- 垂直壓縮嵌合式雙向牛鼻確保屏風之間緊密地接合，可有效杜絕漏音。
- 屏風與支撐路軌間的頂部4層隔音膠條和由機械操作的頂部伸縮機動撐可提供25mm的常規伸縮空間。
- 屏風與地面間的底部4層隔音膠條和由機械操作的底部伸縮機動撐可提供38mm的常規伸縮空間以適應地面的水平高差。多向式屏風可以選擇加大底部伸縮間距。
- 屏風頂底部的伸縮機動撐均可通過180°旋轉操作活動手柄來同時打開固定而無需多次重複地搖動手柄。
- 屏風頂底部的伸縮機動撐不但能穩固屏風，更有緊固隔音封條的作用，提供不少於25公斤的密封壓力。

Finishes 完成面

- Unfinished panels are available to accommodate field-applied finishing.
- Standard face finish can be gypsum board, steel face. Carpet fabric, wood veneers and other custom finishes are also available from the manufacturer's standard list of finishes.
- 屏風可以半完成面的形式到達現場進行裝飾面加工。
- 屏風的標準完成除有石膏板、鋼板面外，也可選擇毛毯布料、木皮飾面或其他客戶所需的完成面。

Suspension System 懸掛系統

- Track consists of clear anodized architectural-grade aluminum alloy 6063-T6. Track incorporates alignment pins for positive alignment, is utilized for optimum sound control, and have integral support for adjoining ceiling, soffit, or plenum sound barrier.
- Track intersections must be designed and constructed to enable smooth operation. They are made from the same architectural-grade extruded aluminum similar to the regular track without variation in texture and colour.
- Track carriers are made with precision ground steel ball bearing wheels encased in molded polymer or precision steel tires to protect the running aluminum track surface.
- A selection of tracks, from aluminum track systems of Type 28, Type 36, Type 40, Type 42E, Type 57 to steel track systems Type 11, all are available to accommodate the weight and function of the model selected.
- 路軌系統是由經陽極氧化處理的鋁合金(高密度標準建材級別6063-T6，銀白色)壓制而成並由駁針固定接合調整成直線來確保路軌有一個平穩、靜音操作及最大限度隔音的良好表現。
- 駁口必須與直線路軌一樣由同種鋁合金壓制而成，確保屏風通過駁口時能平穩過渡並有一個材質、結構及色彩均無變化的整潔外觀。
- 滑輪內部有精準的水平鋼珠設計軸承，外部有聚合物或精準鋼制的輪套來保護鋁合金路軌的內表面，使屏風運行平滑、安靜、順暢。
- 600系列活動屏風可根據屏風的成品重量及功能選用28型、36型、40型、42E型、57型鋁合金路軌或11型鋼鐵路軌。

Partition System 屏風系統

- The lead panel has the option of being fixed into an acoustical wall jamb or complete with balloon vinyl seal without the need of a wall jamb.
- “Final closure” panel comes with an expandable jamb exerting a minimum of 110kg (250lbs) force to tighten the partition for optimum acoustics.
- Single or double inset pass doors of the same panel thickness are also available without the need for protruding door hardware.
- 波膠板或隔音牆壁門槌裝置可使首片屏風與固定牆體密合。
- 末片屏風帶有的伸縮板裝置可發揮至少110公斤的密封壓力來密合屏風從而實現最佳的隔音效果。
- 同樣厚度的單片或雙片門中門可供客戶選擇，而無需使用超出厚度的門鎖五金配件。

Acoustics 隔音性能

- The partition system has been tested by a recognized independent acoustical laboratory according to either ISO 140-3 or ASTM E90 standard for sound ratings.
- 屏風系統均通過一家公認的獨立聲學實驗室根據ISO 140-3或ASTM E90的標準進行隔音測試。

Warranty 質量保證

- The partition system purchased and installed by the manufacturer's authorized agents shall be entitled to a warranty of 2-year against defects in material and workmanship.
- The steel frame shall be entitled to a 5-year warranty for free.
- 由赫福高或經赫福高生產許可認證的代理商處購買並安裝的屏風系統均享有由工程竣工日起計2年的保養期(包括產品材料及生產工藝上的缺陷，人為損壞除外)。
- 鋼結構框架可享5年保養期。

Track Systems

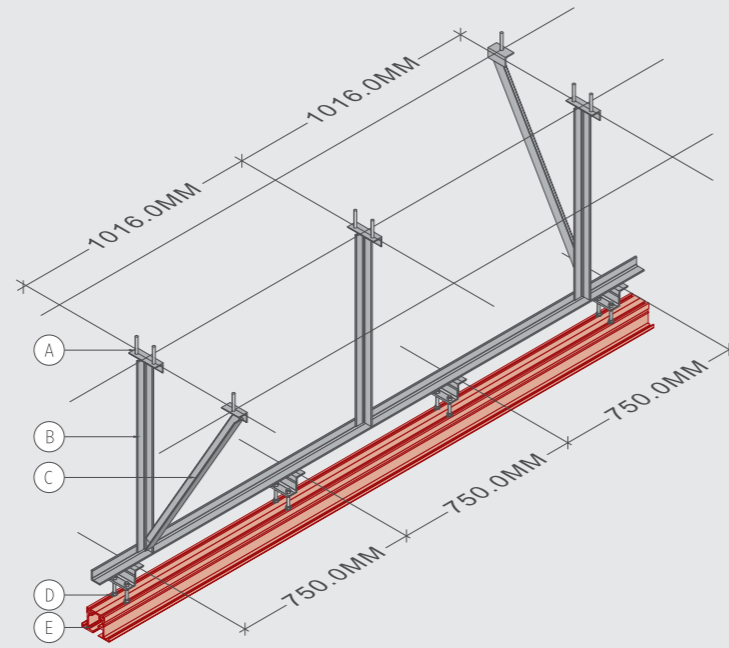
軌道系統

A high quality track system ensures that HUF COR partitions will operate smoothly for years to come and assist in the quick set-up and storage of panels. All HUF COR tracks have been rigorously tested for a minimum of 100 miles (161 km), approx. 14 years of usage cycle time. Job requirements vary, which is why HUF COR offers a wide selection of tracks to meet your operating requirements.

我們高品質的軌道系統能確保赫福高屏風順暢運行多年，並能快速地進行屏風的放置與收藏。所有的赫福高屏風路軌都經過嚴格的性能測試，確保屏風至少運行100英里(161公里)，約14年的使用期限。赫福高有多種路軌以供選擇來滿足各種工程需求和您的營運所需，這也是我們的專利設計在行業中被反覆模仿的原因。

Aluminum Track Installation

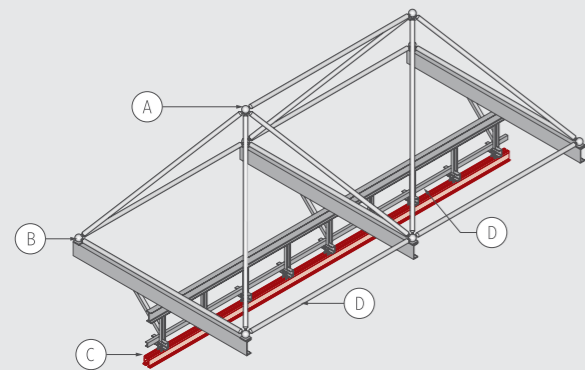
鋁製路軌安裝方案



- (A) Anchor Bolt 爆炸螺絲
- (B) Vertical Angle Iron 垂直角鐵
- (C) Sway Angle Iron 斜拉角鐵
- (D) Hanger Rod 連接螺桿
- (E) Aluminum Track 鋁合金路軌

Space Frame Installation

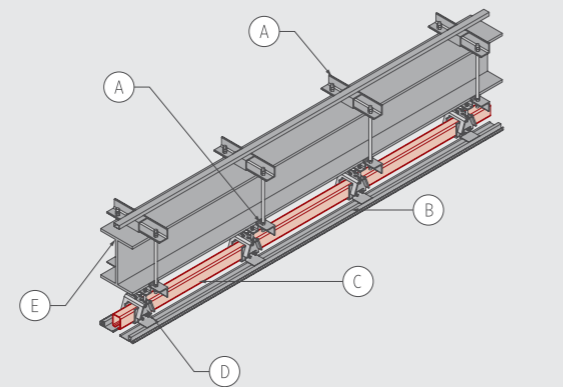
空間桁架安裝方案



- (A) Upper Node 上節點
- (B) Type 57 Track 57型路軌
- (C) Lower Node 下節點
- (D) Space Frame Structure 空間桁架結構

Steel Track Installation

鋼鐵路軌安裝方案



- (A) Angle Iron 角鋼
- (B) Track Aluminum Trim 鋁製收邊路軌
- (C) Type 11 Track 11型路軌
- (D) Suspension bracket 懸掛托架
- (E) I-beam 工字鋼

Aluminum Track Systems 鋁合金路軌系統

Omni-Directional Panels 多向式屏風

Dual wheel trolleys that negotiate 90° turns, through X, L, and T intersections. Two carriers are provided per panel. Each carrier has two horizontal counter-rotating wheels that roll (not slide) in the track. Each wheel has precision-ground bearings, encased with Delrin™ for quiet operation. Carriers easily negotiate square or angled corners without switches.

每片多向式屏風配置的雙滑輪在通過X型、L型及T型駁口時可90°轉彎。每個滑輪配有兩個水平反向旋轉輪在路軌中轉動(而不是滑動)。每個滑輪都有精密的內部軸承，外部有聚合材料的保護輪套來實現靜音操作。滑輪可順暢地在路軌方形或尖角轉彎處通行而無需開關控制。

TYPE 28

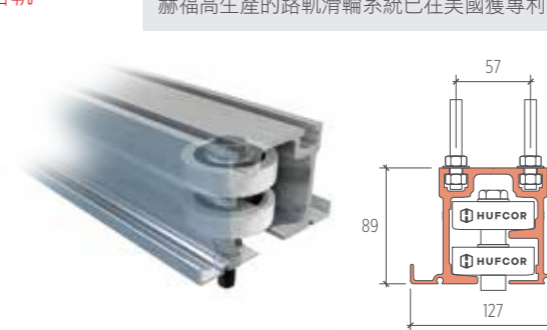
28型路軌



Weights up to 1200lbs (545kg) per panel
每片屏風最大懸吊重量可達545公斤

TYPE 36

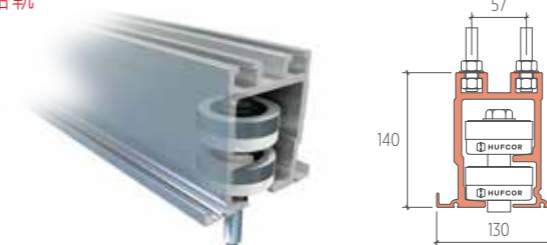
36型路軌



Weights up to 1000lbs (455kg) per panel
每片屏風最大懸吊重量可達455公斤

TYPE 57

57型路軌



Weights up to 1500lbs (680kg) per panel
每片屏風最大懸吊重量可達680公斤



Operable Partitions Types

活動屏風類型

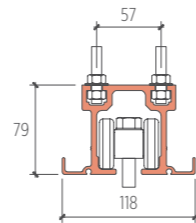
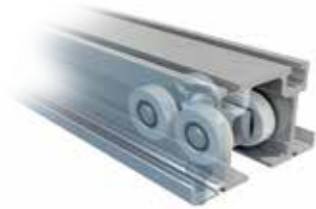
Paired Panels 單向式屏風

One 4-wheeled carrier is provided per panel. Each wheel is made of molded polymer tires on hardened steel ball bearings.

每片單向式屏風配置一個四輪滑輪。每個滑輪都有精密的內部軸承，外部有聚合材料的保護輪套來實現靜音操作。

TYPE 40 40型路軌

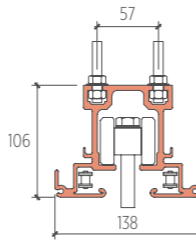
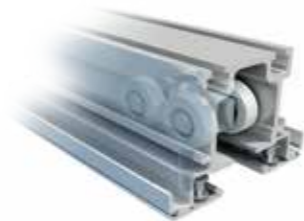
Resilient mounted body for quiet operation and load distribution
具備安裝彈性的滑輪路軌系統可實現靜音操作以及合理的懸吊重量分配



Weights up to 900lbs (408kg) per panel
每片屏風最大懸吊重量可達408公斤

Electrical Panels 電動屏風

TYPE 42 42型路軌



Weights up to 900lbs (408kg) per panel
每片屏風最大懸吊重量可達408公斤

Steel Track Systems 鋼鐵路軌系統

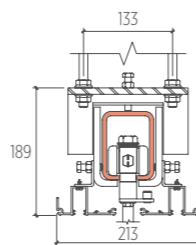
Omni-Directional, Paired and Electrical Panels

HUFCOR steel track is used when the partition height or weight limit exceeds that recommended for the aluminum system.

多向式、單向式及電動屏風

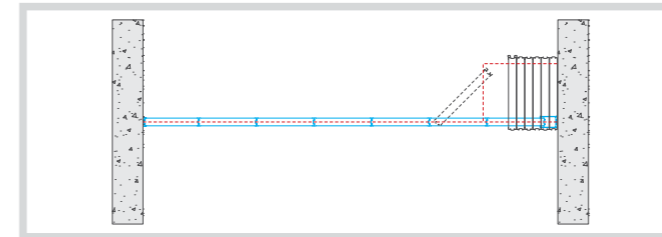
赫福高鋼鐵路軌系統適用於當活動屏風高度或重量超過鋁合金系統可承載極限時。

TYPE 11 11型路軌



Weights up to 3000lbs (1364kg) per panel
每片屏風最大懸吊重量可達1364公斤

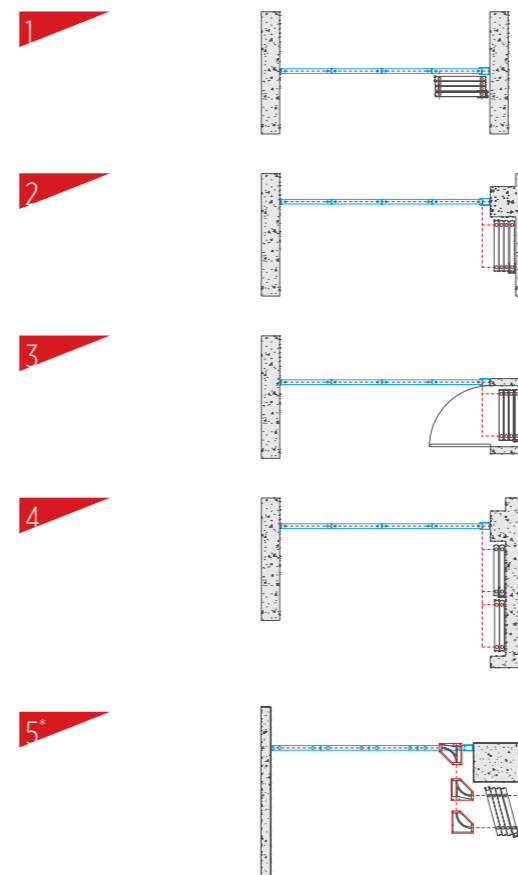
Omni-Directional Panels 多向式屏風



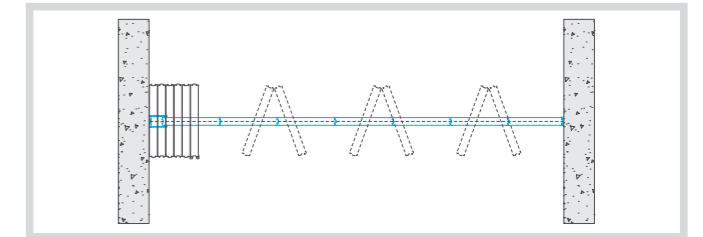
Omni-directional panels provide the ultimate flexibility to your operations because each individual panel can easily turn around corners and move to alternate locations or remote storage. Therefore, many different storage layouts can be created to fit your floor design and layout.

多向式屏風最大程度地體現了空間使用上的靈活性。每片屏風可簡易快速地轉向、以不同角度設置在不同的位置或移動到距離較遠的藏板間，因而可創造出多種藏板間佈局設計。

Storage Layout Options 藏板間佈局設計



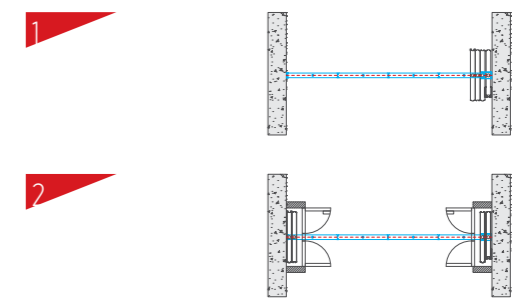
Paired Panels 單向式屏風



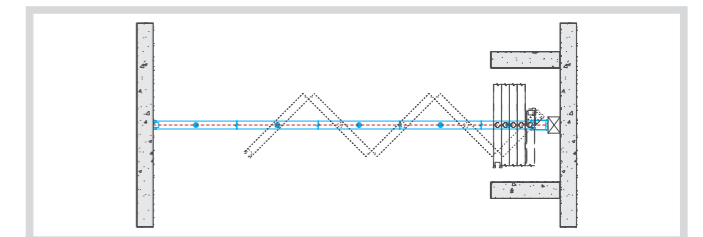
When remote storage is not required, the center-hung panels hinged in groups of two or three, are the ideal solution for quicker and easier set up, than omni-direction panels. Optional hinging is available to accommodate moldings or other decorations. Acoustical ratings are the same as omni-direction Panels.

當無需藏板間時，可選用配置單輪中心懸掛以鉸鏈連接兩片或三片為一組的單向式屏風，相較於多向式屏風而言是一種可快速、簡易設置的理想空間解決方案。選配的鉸鏈可容納邊角線或其他裝飾面。隔音系數與多向式屏風相同。

Storage Layout Options 藏板間佈局設計



Continuously Hinged Panels 串聯式屏風



Continuously hinged panels are hinged together and move from wall to wall in a straight line. Electrically operated for fast, easy set-up.

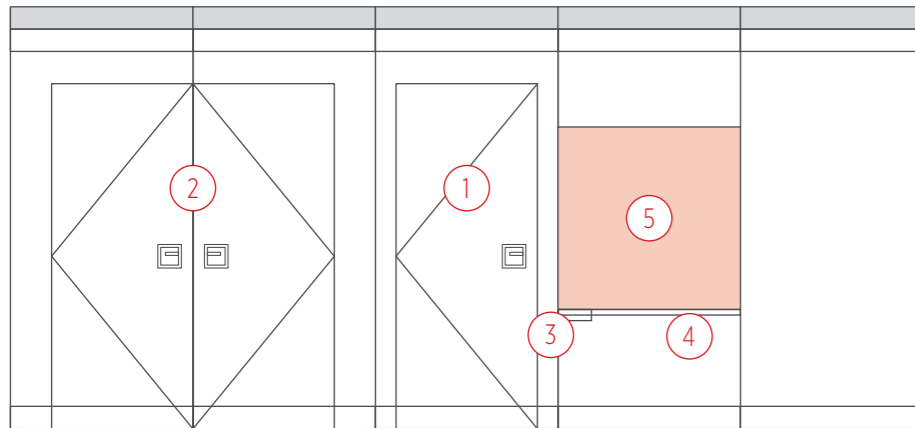
串聯式活動屏風之間是用鉸鏈連結在一起，並以直線運行移動。電動操控的好處在方便快速設置。

* Type 11 steel track only 只適用於11型路軌

Accessories

配件

A variety of accessories and work surfaces are available to provide the functionality and aesthetics you need.
赫福高有多種屏風配件及工作用途完成面可供選擇來滿足您在功能和美觀上的需要。

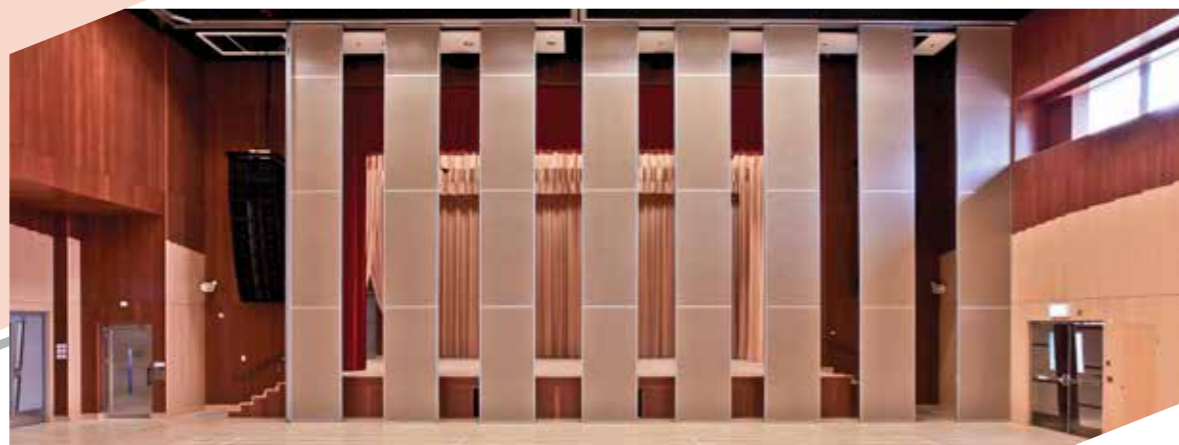


- ① Single Pass Door 單片門中門
- ② Double Pass Door 雙片門中門
- ③ Eraser Pocket 板擦槽
- ④ Recessed Chalk Tray 嵌入式筆槽
- ⑤ Work Surface:
Tackboards/Dry Marker Board
釘板/書寫白板

Pass Door Features 門中門特色

HUFCOR's pass door has been designed to provide optimal in-field performance. Features include:
赫福高的門中門設計可提供最佳的場內使用效果。其特色包括：

- Rigid steel truss frame for durability
- Protective edge trim for durability and visual aesthetics
- Perimeter compression seals
- No exposed fasteners on inside of door frame
- Positive latching door hardware
- Automatic bottom seals with downward force to stabilize door in opening
- Door leaf compensates for floor variances with a field adjustable mechanical bottom seal
- 耐久、堅固的鋼製框架結構
- 耐久、美觀的防護邊飾
- 密合的邊框密封壓縮膠條
- 門框內部零件無外露設計
- 完美的門鎖五金配件
- 具有向下撐力的自動底撐以穩固開啟中的門
- 備有現場自動調整式底撐的門扇可彌補地面不同的變化



Why HUFCOR?

為甚麼選擇赫福高?

Partitions Must Control Sound

We test our products in our sound laboratory to make certain they meet or exceed our published acoustical ratings. The laboratory is certified by the National Voluntary Laboratory Accreditation Program (NVLAP) and, like our ISO certification, we undergo regular inspection to make certain we adhere to their strict regulations.

活動屏風必須隔音

赫福高是中國地區唯一擁有正規聲學測試實驗室的屏風品牌，我們在自己的聲學實驗室測試產品以確保能滿足或超出對外公布的隔音測試系數。我們的聲學測試實驗室是經由「美國國家義務計劃」(NVLAP) 認可的，就像我們的 ISO 證書，是嚴格遵守規定經受定期檢查並通過的。

Renovation and Repair

Not only do we provide new products, we also offer retrofit service for HUFCOR products and those manufactured by others. Contact your local HUFCOR representative for a free assessment of your needs.

翻新和維修

我們不僅提供新產品，而且對赫福高及其他製造商的屏風產品也提供改裝翻新服務。如果您有需要請與當地的赫福高公司聯繫，我們將為您提供免費的需求分析。

Worldwide Availability

HUFCOR's US manufacturing facility is located at our headquarters in Janesville, Wisconsin. HUFCOR US, China, Hong Kong, Macau, Malaysia and Taiwan are providing our 600 Series product in their respective market for flexible space management. In addition to the 600 Series product, other HUFCOR partition lines are also available in Australia, Bangladesh, Brazil, Canada, China, Finland, France, Germany, Hong Kong, India, Indonesia, Japan, South Korea, Mexico, Malaysia, Macau, New Zealand, Philippines, Russia, South Africa, Singapore, Sri Lanka, Spain, Taiwan, Thailand, United Arab Emirates and Vietnam. Check our website for contact details in the respective location.

全球化經營

赫福高總部坐落於美國威斯康辛州的占斯維爾。赫福高美國、中國、香港、澳門、馬來西亞及台灣市場均可提供靈活空間管理的 600 系列活動屏風產品。除 600 系列產品外，赫福高同時向澳洲、孟加拉、巴西、加拿大、中國、芬蘭、法國、德國、香港、印度、印度尼西亞、日本、韓國、馬來西亞、澳門、新西蘭、菲律賓、墨西哥、俄國、南非、新加坡、斯里蘭卡、西班牙、台灣、泰國、阿拉伯聯合酋長國和越南市場提供其他屏風系列產品。赫福高不單是具有百年歷史的活動隔音屏風產品製造商，更是屏風專業品牌中的佼佼者。多年來，一直穩佔全球屏風市場的領導地位，在同業中始終保持領先的優勢。我們的銷售點遍布全球，客戶可瀏覽公司網站選擇赫福高公司或經赫福高授權的經銷商購買產品。

